



Apo Sonnar T* 2/135



Features

- Fast f/2.0 aperture
- Precise manual focusing
- Robust full-metal construction
- Identical color reproduction of all models
- For industrial cameras with F-Mount up to sensor sizes of 24x36 mm or 43mm line sensors.

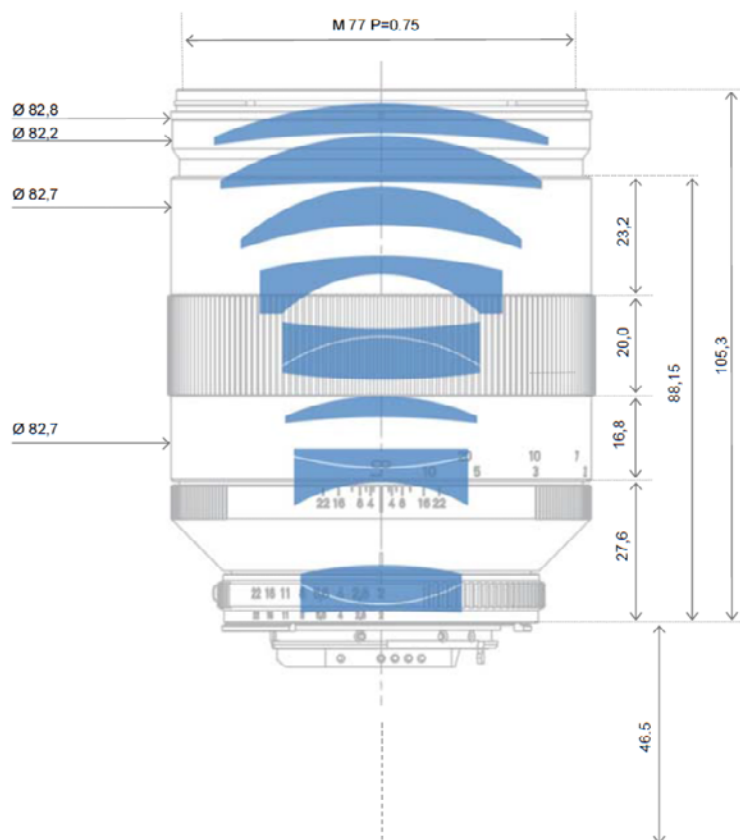
Camera Mounts

Available for other camera mounts such as EF, or M42 screw mount.



Apo Sonnar T* 2/135

Technical Specifications



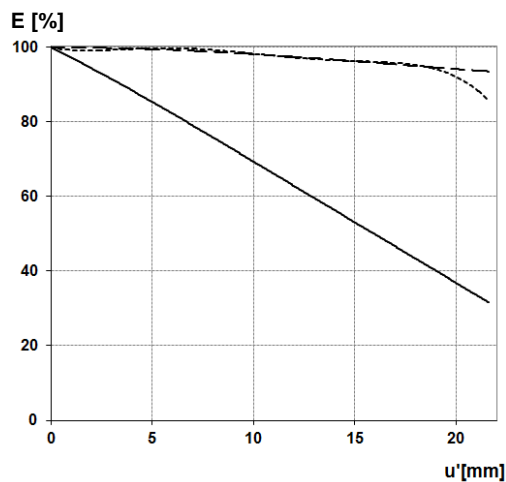
focal length	135 mm
Aperture range	f/2 – f/22 (1/ 2 stop intervals)
Number of elements / groups	11/8
Min. working distance (object to sensor)	800 mm (2,62 ft.) – ∞
Min. free working distance	620 mm (2,03 ft.) – ∞
Angular field* (diag. / horiz. / vert.)	18,7 / 15,6 / 10,5°
Max. diameter of image field	43 mm (1.7")
Flange focal length	F-Mount: 46.5 mm (1.8"); M42-Mount: 45,5 mm
Coverage at close range	145 x 96 mm (5.7 x 3.7"), line 172 mm (6.7")
Image ratio at close range	1:4
Filter-thread	M 77 x 0.75
Weight	920 g (2.03 lbs.)
Camera mount	F bayonet, M42, EF

* referring to 35 mm format



Apo Sonnar T* 2/135

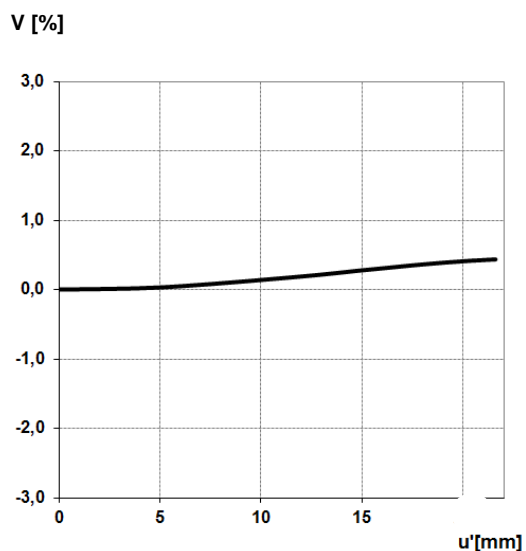
Relative Illuminance*



The relative illuminance shows the decrease in image brightness from the image center to the edge in percent.

— f-number = 2
... f-number = 4
- - - f-number = 4.8

Relative Distortion*



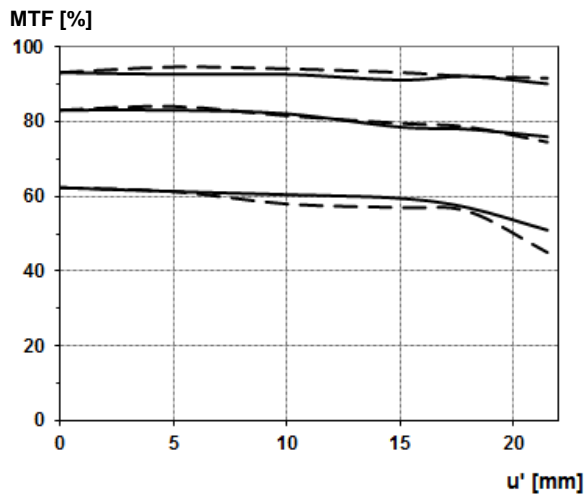
The relative distortion shows the deviation of the actual image height from the ideal one in percent.

*Data for infinite focus setting



Apo Sonnar T* 2/135

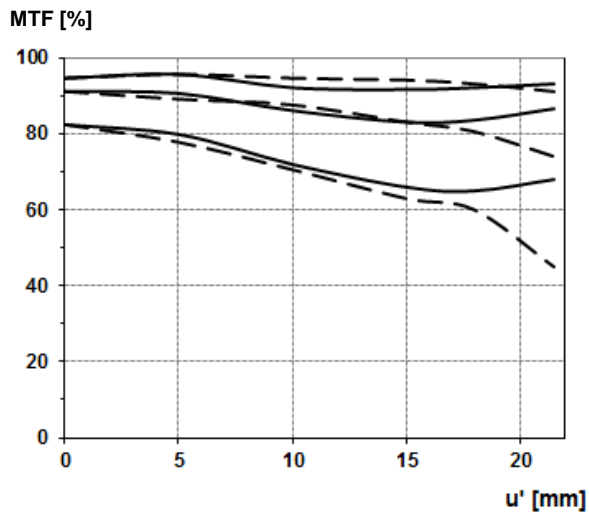
MTF Charts*



The Modulation Transfer (MTF) as a function of image height (u) and slit orientation (sagittal, tangential) has been measured with white light at spatial frequencies of $R = 10, 20$ and 40 cycles/mm.

f-number = 2

— Sagittal
... Tangential



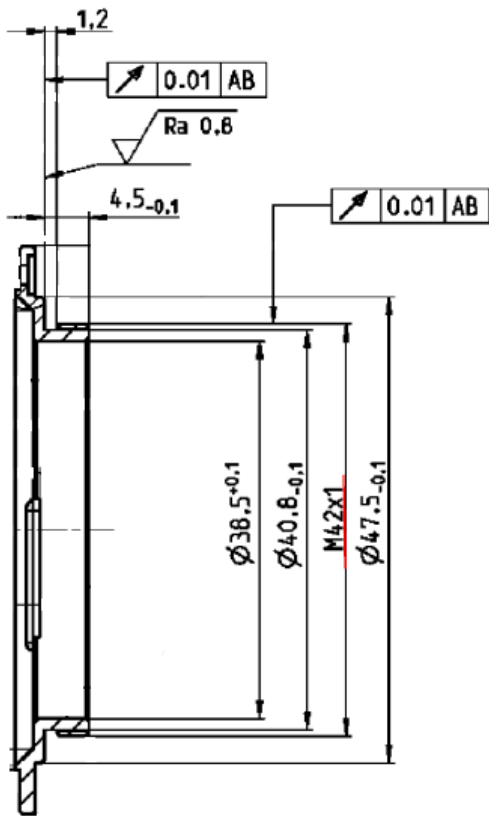
f-number = 4

— Sagittal
... Tangential

*Data for infinite focus setting



Apo Sonnar T* 2/135



M42 Mount for 45,5 mm Flange Focal Distance

The diameter of the camera/lens adapter must not exceed 55 mm at the lens side!

Authorized Distributor:



Your single source for Imaging Solutions

Ph. 510.657.4000 Fax 510.657.4010

info@uniforcesales.com

www.uniforcesales.com